

Dual-spectrum PT Network Camera

IRS-PT264



Product Feature

1. Adopting the latest generation of InfiRay® 12 micron uncooled infrared detector, the imaging is farther and clearer;
2. With a maximum thermal imaging resolution of 1.3 million pixels and a 20x 4 million visible light camera, high-definition bi-spectrum imaging can be achieved.
3. Support 9.1/13/19/25/35mm fixed-focus infrared lens and 13/25mm fixed-focus electronically adjustable infrared lens, which can meet various inspection needs.
4. Support network high-definition transmission, which can transmit visible light videos and infrared videos at the same time.
5. Combining multiple network monitoring methods, the camera also supports ONVIF protocol.

6. With high-speed, high-precision pan-tilt, the network camera supports 5 scanning methods and 17 scanning track with speed memory;
7. Support smart fire detection.
8. Support intelligent infrared video analysis, including intelligent analysis functions such as regional intrusion, trip wire, etc.
9. IP66 protection
10. Single IP solution
11. High precision temperature measurement of ± 2 degrees

Camera Performance Parameters

Camera Model	
IRS-PT264	
Thermal Parameters	
Detector Type	VOx Uncooled FPA detector
Response Band	8 ~ 14 μ m
NETD	≤ 40 mK @25°C, F#1.0
Max. Resolution	640 \times 512
Pixel	12 μ m
Focal Length	9.1mm, 13mm, 19mm, 25mm, 35mm
Focusing Type	Athermal fixed focus (13mm, 25mm lens can be optional for auto-focus electric lens)
FOV	48° \times 38°, 33° \times 26°, 22° \times 18°, 17° \times 14°, 12.5° \times 10.0°
F#	F1.2/F1.0
IFOV	1.31mrad, 0.92mrad, 0.63mrad, 0.48mrad, 0.34mrad
Palette	18 palettes selectable such as Blackhot/Whitehot/Rainbow, etc.
Optical Parameters	
Sensor	1/1.8inch 4MP CMOS sensor
Max. Resolution	2688 \times 1520
Focal Length	6.4mm ~ 128mm 20x optical zoom
Focusing Type	Auto / Manual / One-shot auto
FOV	Horizontal: 59.6° ~ 3.5°
Min. Illumination	Color: 0.05Lux@ (F1.6, AGC ON) B/W: 0.01Lux@ (F1.6, AGC ON)
WDR	Support, 120dB

Day/Night	ICR auto switch/electronic color to black, switch by light intensity/time setting/manual switch
DNR	3D NR
PT Parameters	
Pan Range	Pan: 360° continuous rotate
Pan Speed	Configurable:0.1° ~ 100°/s
Tilt Range	Tilt:-90° ~ +90°
Tilt Speed	Configurable:0.1° ~ 60°/s
Preset Accuracy	±0.1°
Presets	256
Patrol Scan	8, up to 255 presets per patrol
Pattern Scan	4
Linear Scan	4
Panorama Scan	1
3D Positioning	Support
Power Off Memory	Support
Speed Setup	Speed adaptation to focal length
Position Setup	Support, configurable in horizontal /vertical
Privacy Mask	Support
Park	Preset/Pattern Scan/Patrol Scan/Linear Scan/Panorama Scan
Scheduled Task	Preset/Pattern Scan/Patrol Scan/ Linear Scan/Panorama Scan
Anti-burn	Support
Remote Power-off Reboot	Support
Network Functions	
Protocols	IPv4/v6,HTTP,HTTPS,802.1x,QoS,FTP,SMTP,UPnP,SNMP,DNS,DDNS,NTP,RTSP,RTCP,RTP,TCP,UDP,IGMP,ICMP,DHCP
Interoperability	ONVIF,GB28181,CGI
Simultaneous Live View	Up to 20 channels
User Management	Up to 20 users,3 levels: administrator, operator and user
Browser	IE8+, Chrome18+, Firefox5.0+, Safari5.02+, multiple languages(at least Chinese and English)
Video Parameters	
Max. Resolution	2688x1520(visible), 1280x1024(thermal)
Image Encoding	JPEG

Format	
Audio Compression	G.711A/G.711Mu/PCM/AAC/MPEG2-Layer2
Video Compression	H.264/H.265/MJPEG
Main Stream(visible)	50Hz:25fps(2688×1520,1920×1080,1280×720); 60Hz:30fps(2688×1520,1920×1080,1280×720);
Main Stream(thermal)	50Hz:25fps(1280×1024,1024×768); 60Hz:30fps(1280×1024,1024×768);
Sub Stream(visible)	50Hz:25fps(704×576),25fps(352×288); 60Hz:30fps(704×480),30fps(352×240);
Sub Stream(thermal)	50Hz:25fps(640×512),25fps(384×288); 60Hz:30fps(640×512),30fps(384×288);
Temperature Measuring Functions	
Measuring Range	-20°C ~ +150°C,0°C ~ 550°C, automatic gain switching
Measuring Accuracy	±2°C or ±2%
Full Frame	Global temperature measurement, supports highest, lowest and real-time temperature measurement at any point
Point	12 points
Line	12 lines with the highest, lowest and average temperature.
Region	12 regions, support circle, rectangle and irregular polygon and display the highest, lowest, and average temperature
Isotherm	1 isotherm, high and low threshold can be set.
Temperature difference	Support temperature difference display and alarm between different temperature measuring tools, and set temperature alarm value among several areas
Environment Variable Correction	Distance, atmospheric temperature, relative humidity, emissivity, reflected temperature, infrared window correction (global/local)
Smart Functions	
Fire Detection	Support dynamic fire detection, up to 10 fire alarms, display no less than 1 fire alarm
Cold Spot& Hot Spot Trace	Support
Smart Record	Support the function of resumable transmission after disconnection to ensure that the video is not lost.
Smart Alarm	Support alarm trigger of network disconnection, IP address conflict, full memory, memory error, illegal access and abnormal detection
Smart Detecting	Intelligent video analysis functions such as regional intrusion, cross-border intrusion, item leftover, item moving, and personnel wandering
Alarm Linkage	Recording/Capture/Sending mail/PTZ linkage/Alarm output
System Interface	

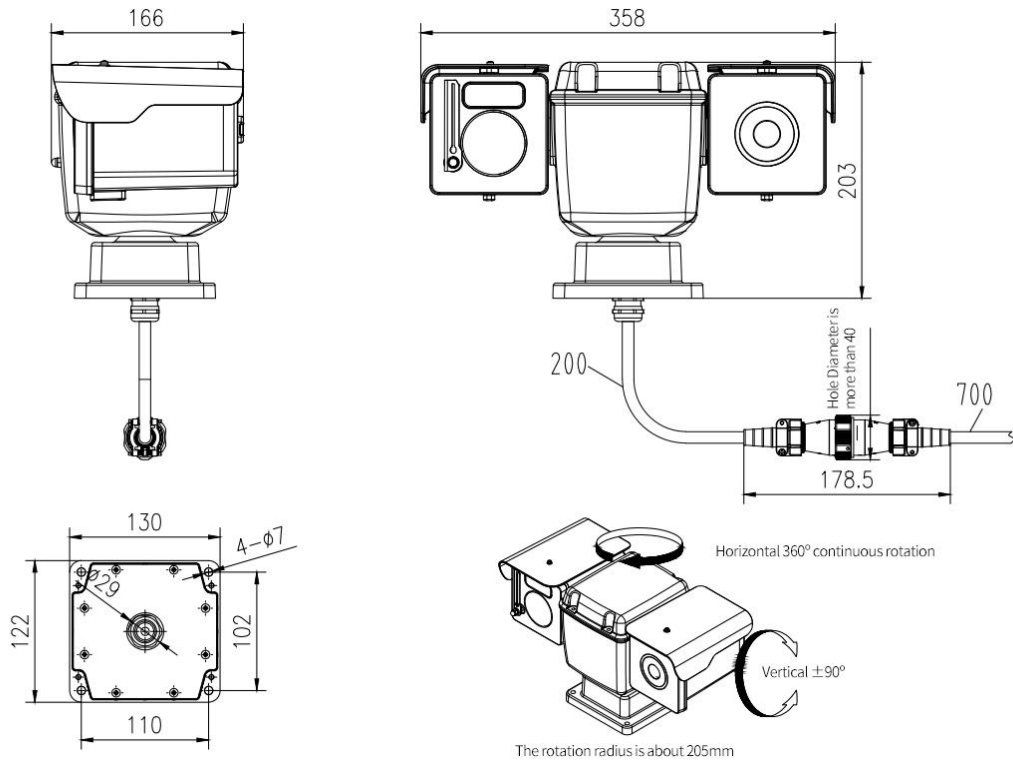
Power Supply	DC 24V
Communication Interface	RJ45 self-adaptive 10M/100M Ethernet port
Audio Input	1channel
Audio Output	1channel
Alarm Input	2 channels
Alarm Output	2 channels
Storage Interface	Support Micro SD card(Max.256G),hot swap
RS485	1channel, and support Pelco protocol
General Parameters	
Work Temperature/Humidity	-40°C ~ +70°C; <90%RH
Protection Level	IP66,TVS 6000V lightning protection, surge protection; Conform to GB/T17626.5 Grade-4 Standard;
Power Consumption	10W when PT is static, maximum consumption is less than 30W
Dimension(mm)	358×164.5×203mm (W×H×L)
Weight	4.5KGS

Operating Distance

The recommended distance of detecting, recognizing and identifying for vehicle (1.4×4.0m) and man (1.8×0.5m) are as follows:

Equipped Lens	DD (vehicle)	DD (man)	ID (vehicle)	ID (man)	RD (vehicle)	RD (man)
9.1mm	1.16km	0.38km	0.29km	0.10km	0.15km	0.05km
13mm	1.66km	0.54km	0.42km	0.14km	0.21km	0.07km
19mm	2.43km	0.79km	0.61km	0.20km	0.30km	0.10km
25mm	3.19km	1.04km	0.80km	0.26km	0.40km	0.13km

Structure and Dimensions



©IRay Technology Co., Ltd. 2021. All right reserved worldwide.

This datasheet is subject to change without prior notice. Please contact us to get the latest datasheet.